

K4 Rotary Draw Latch

Medium size

Features

- Lift and turn operation
- Consistent pull-up

Material

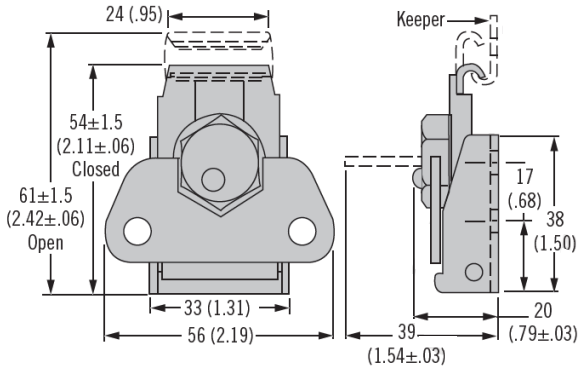
- Steel, zinc plated

Notes

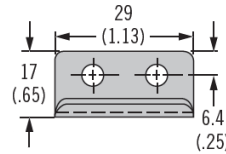
- Spring loaded: Ideal for applications where shock and vibration occur. Compensates up to 4 for mounting hole irregularities, panel variations and gasket set.
- Install assembly with Ø4 rivets or M4 screws (not supplied)



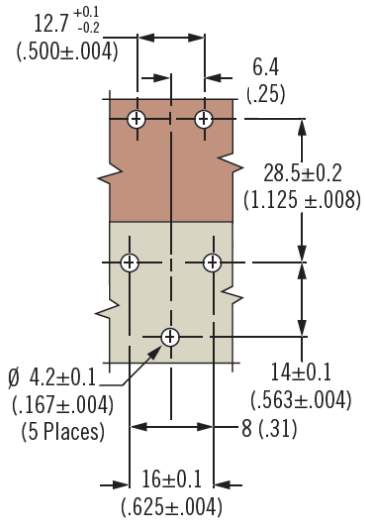
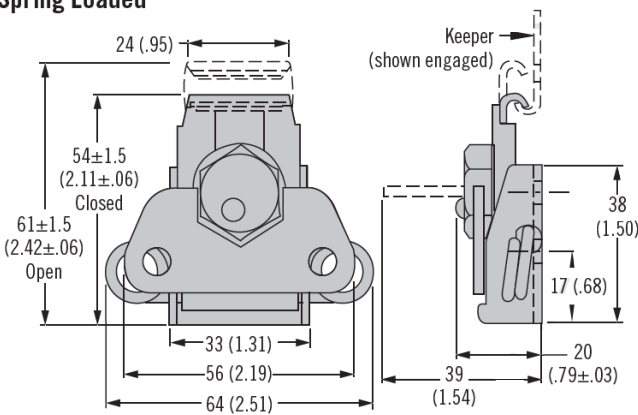
Riveted



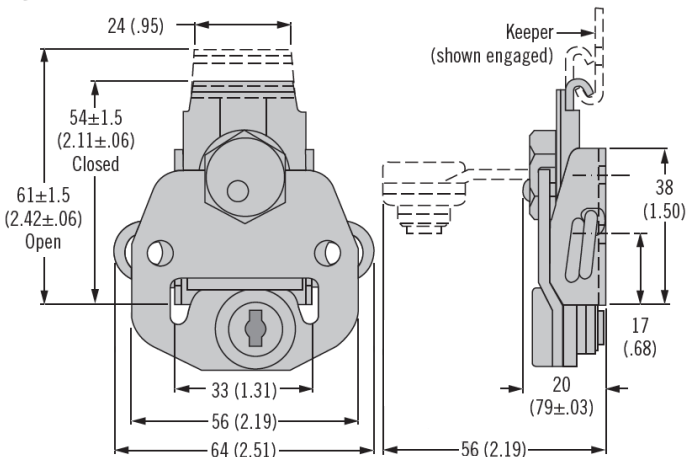
Keeper



Spring Loaded



Key Lockable



Type	Part Number	
	Latch	Keeper
Riveted	K4-2714-07	K4-2338-07
Spring loaded	K4-2359-07	
Key lockable	K4-2833-07	